



DOOR OPERATORS AND SMART HOME SYSTEMS

Garage door operators, hinged gate and sliding gate operators, Hörmann homee

HÖRMANN





4

Good reasons to try
Hörmann operators.



16

Function.
Equipment.



30

Accessories.
Technical data.

Responsibility for generations

The Hörmann family business has over 85 years of experience as a construction component specialist. This gives us an obligation to past, current and future generations. That's why environmental responsibility plays such an important role for us. With this in mind, we develop innovative solutions for sustainable products and intelligent environmental protection.



“A GOOD REPUTATION MUST BE EARNED.”

August Hörmann

In keeping with the tradition started by the company's founder, the Hörmann brand is a true promise of quality and, with sales of over 20 million doors and operators, is one of Europe's most successful suppliers. Due to the comprehensive international sales and service network, Hörmann is your strong partner for high-quality construction components.

AN EYE ON THE FUTURE. Hörmann is setting a good example. That's why 100 % of our electricity needs in Germany come from green electricity. Together with an intelligent and certified energy management system, CO₂-neutral mailing and the recycling of valuable materials, more than 40000 tonnes of CO₂ are saved each year. In addition, we offset over 100000 tonnes of CO₂ by promoting wind energy and reforestation projects in cooperation with ClimatePartner.



You can find further information at
www.hoermann.de/umwelt



Brand quality made in Germany



The family-owned company Hörmann offers all important construction components for building and renovating projects from a single source. We manufacture in highly specialised factories using state-of-the-art production technologies. Our employees work intensively on new products, continual further developments and improvements to details. The results are patents and unique products on the market.





**5-year
warranty***

LONG-LASTING. GUARANTEED. All major door and operator components are developed and manufactured by Hörmann. Endurance tests under real conditions ensure mature series products with Hörmann quality. Thanks to this and uncompromising quality assurance, you receive a 5-year warranty on Hörmann operators*.

* The complete warranty conditions can be found at: www.hoermann.com



**Tested and
certified**

CERTIFIED SAFETY FOR YOU AND YOUR FAMILY.

Hörmann garage and entrance gate operators open and close reliably in every phase and have been tested and certified by independent test institutes. All garage door operators are optimally matched to Hörmann sectional garage doors, and the operating forces for entrance gate operators RotaMatic, VersaMatic and LineaMatic have been tested and certified for standard door sizes and fitting situations in accordance with DIN EN 13241-1.



Reliable and safe function

Hörmann operators offer more convenience and intelligent technology. The automatic safety cut-out stops the door securely and reliably if it encounters an obstacle. Your door opens and closes quietly and smoothly with the soft start and soft stop, thereby protecting the door and operator mechanism.





Garage door operators SupraMatic



Entrance gate operators RotaMatic

GARAGE DOOR OPERATORS. The operator generation 4 now comes with even faster door opening and smart functions. The new LED lighting illuminates your garage evenly and makes getting in and out of the car easier. And thanks to the ProMatic Akku, you can enjoy all the benefits of an automatic operator in garages without a power connection.

→ For further information, see from page 16.

ENTRANCE GATE OPERATORS. Enjoy maximum operator comfort as soon as you access your property and equip your entrance gate with a remote-controlled operator. The additional functions offer you extra convenience. Upon request, your door closes automatically* or opens only partially for practical pedestrian passage.

* Optional photocell required

→ For further information, see from page 22.

Convenient opening and secure closing

No one likes to get out of their car in windy or rainy weather or in the middle of the night, just to open the garage door. A Hörmann garage door operator allows you to open your garage door quickly, conveniently and safely from your car. And once your door is closed, the mechanical anti-lift kit prevents intruders from entering your house through the garage or taking items from the garage.





Opening speed
Up to max. 25 cm/s

SUPER-FAST. You can enter faster and more safely with the SupraMatic operator when combined with a Hörmann sectional garage door. An opening speed up to max. 25 cm/s means more safety and less stress on high-traffic garage entrances. Compare the opening speed of the SupraMatic operator with conventional operators.



Anti-lift kit
As standard

SECURELY CLOSED. Burglars have a tough time when it comes to Hörmann automatic garage doors: when the garage door is closed, the anti-lift kit automatically engages in the guide rail stop. The door locks immediately and is secured against forced opening. This lock is purely mechanical and, in contrast to operators from other manufacturers, effective even in the event of a power failure.



Mechanical operator boom locking
(German patent)



Watch the video on YouTube or at
www.hoermann.com/videos

→ For further information, see from page 20.



More convenience for your home

Hörmann operator accessories are characterised by innovative technology and exclusive design – the ideal combination for everyone who values perfection. You want maximum comfort? Then we have the right accessories to meet all requests and needs. All operators, receivers and control elements with BiSecur radio technology are 100 % compatible with each other and perfectly aligned.





Only from Hörmann

CERTIFIED SECURITY. The bidirectional BiSecur radio system with particularly secure encryption protocol and stable, interference-free range makes sure that no one can copy your radio signal. This is also confirmed by the security experts of Bochum University and independent test institutes.



Watch the video on YouTube or at www.hoermann.com/videos

INTELLIGENT ACCESSORIES. You no longer have to go out in any wind and weather to check if your door is closed. At the press of a button, the colour of the LED on the hand transmitter HS 5 BS or the internal push button FIT 5 BS indicates the door position. If required, another push of a button* closes the door. It is the most convenient and secure way to control your door.

* An additional photocell is required for operation without visual contact to the door.



Figure on left: the green LED on the hand transmitter HS 5 BS indicates that your door is closed. The LED lights up red when the door is open. (Full-scale)



Intelligent operating comfort

Control your garage door and entrance gate operators, entrance door locks, lights and other devices simply, safely and conveniently via hand transmitter, radio switch or smartphone.

Are your residential internal doors equipped with a Hörmann PortaMatic operator?

Then you can use those accessories to conveniently open and close these doors too.



SMART APP OPERATION. With the new Hörmann BlueSecur app, you always have your door opener on your smartphone. Use the individual adjustment options and customise the functions and user interfaces according to your wishes. Transfer permanent or temporary user permissions* to other smartphones. Your children or your spouse do not have to take a key with them, and your neighbour can enter your house to water your plants while you are away on holiday.

* Extra purchases (in-app purchases) in the AppStore or Google Play may be required

FLEXIBLE SMART HOME SYSTEM. With the Hörmann homee Brain Smart Home control centre, you can open and close your Hörmann doors and gates even more conveniently – quite simply by using your smartphone, tablet or PC. In addition, the system is extremely safe, easy to use and can be extended with other compatible devices such as security cameras, weather stations, lighting, switches, heating thermostats, roller shutters and blinds, smoke and movement detectors, or window and door contacts.



Watch the video on YouTube or at
www.hoermann.com/videos

→ For further information, see from page 30.

Operate all your doors and gates equipped with a Bluetooth receiver conveniently via your smartphone.



With the Hörmann homee Smart Home system, you can control all door functions via your tablet or smartphone.



SupraMatic 4

Garage door operator

SUPRA-FAST DOOR OPENING AND SMART ADDITIONAL FUNCTIONS. Open your door supra-fast with the hand transmitter, allowing direct access from the street into your garage. Thanks to the standard Bluetooth receiver, you can also operate your door via the Hörmann BlueSecur app, meaning that you always carry your door opener with you on your smartphone. And the stainless steel operator cover impresses with an exclusive design.



Standard 4-button hand transmitter HSE 4 BS, textured surface black with chrome caps, full-scale



Garage door operators	SupraMatic 4 E	SupraMatic 4 P
Bluetooth receiver	Integrated, can be switched on and off	Integrated, can be switched on and off
Hörmann homee	Compatible	Compatible
HCP bus connection	Integrated	Integrated
Cycles per day / hour	25 / 10	50 / 10
Pull and push force	650 N	750 N
Peak force	800 N	1000 N
Max. opening speed	25 cm/s ¹⁾	25 cm/s ¹⁾
Lighting	20 LEDs	30 LED chase light
Max. door width	5500 mm	6000 mm
Max. door surface	13.75 m ²	15 m ²

¹⁾ For sectional garage door
²⁾ In comparison with ProMatic 3
³⁾ Optional climate sensor or Hörmann BlueSecur app required



Only from Hörmann

European patent

 **Hörmann BlueSecur**



Operation by
smartphone using the
Hörmann BlueSecur app

Special features



Supra-fast door opening

An up to 75 % faster opening speed²⁾ of up to 25 cm/s¹⁾ means you can access your garage faster.



Smart app operation

Using the standard Bluetooth receiver, you can control the operator on your smartphone with the Hörmann BlueSecur app (see pages 36 – 37).



Simple query of the door position

You can use the optional HS 5 BS hand transmitter or internal push button FIT 5 at any time to check that your garage door is closed.



Convenient garage ventilation

Using the ventilation position³⁾ you can automatically ventilate your garage without completely opening the door.



Switchable LED lighting

The operator light with 20 (SupraMatic E) or 30 LEDs (SupraMatic P) illuminates your garage very well and up to 3 or 5 times²⁾ brighter.



Easy-to-use programming

Connected accessories are automatically detected and the operator functions are set very easily by entering a two-digit number.



Intelligent networking

Optional Smart Home system gateways can be easily connected via the HCP interface (see page 35).



Low power consumption

In standby, the operator uses less than 1 watt and protects the environment while also saving costs.

ProMatic 4

Garage door operator

PREMIUM QUALITY AT AN ATTRACTIVE PRICE. You can open your garage door easily and quickly with the hand transmitter or radio button. Of course, you do not have to do without comfort, for example the ventilation function and uniform lighting. And thanks to the ProMatic Akku, you can enjoy all the benefits of an automatic operator in garages without a power connection.



4-button hand transmitter HSE 4 BS, black textured surface with plastic caps as standard, full-scale



Garage door operators	ProMatic 4	ProMatic 4 Akku ■ NEW
Bluetooth receiver	Optional (HET-BLE)	Optional (HET-BLE)
Hörmann homee	Compatible	Compatible
HCP bus connection	Integrated	Integrated
Cycles per day / hour	25 / 10	5 / 2
Pull and push force	600 N	500 N
Peak force	750 N	600 N
Max. opening speed	20 cm/s ¹⁾	16 cm/s ¹⁾
Lighting	10 LEDs	10 LEDs
Max. door width	5000 mm	4000 mm
Max. door surface	11.25 m ²	9 m ²

¹⁾ For sectional garage door
²⁾ In comparison with the ProMatic series 3
³⁾ Optional climate sensor or Hörmann BlueSecur app required



Special features



Quick door opening

An up to 40 % faster opening speed²⁾ of up to 20 cm/s¹⁾ means you can access your garage faster.



Simple query of the door position

You can use the optional HS 5 BS hand transmitter or internal push button FIT 5 at any time to check that your garage door is closed.



Convenient garage ventilation

Using the ventilation position³⁾ you can automatically ventilate your garage without completely opening the door.



Switchable LED lighting

The operator light with 10 LEDs illuminates your garage well and up to 2 times²⁾ brighter.



Intelligent networking

Optional Smart Home system gateways can be easily connected via the HCP interface (see page 35).



Low power consumption

In standby, the operator uses less than 1 watt and protects the environment while also saving costs.

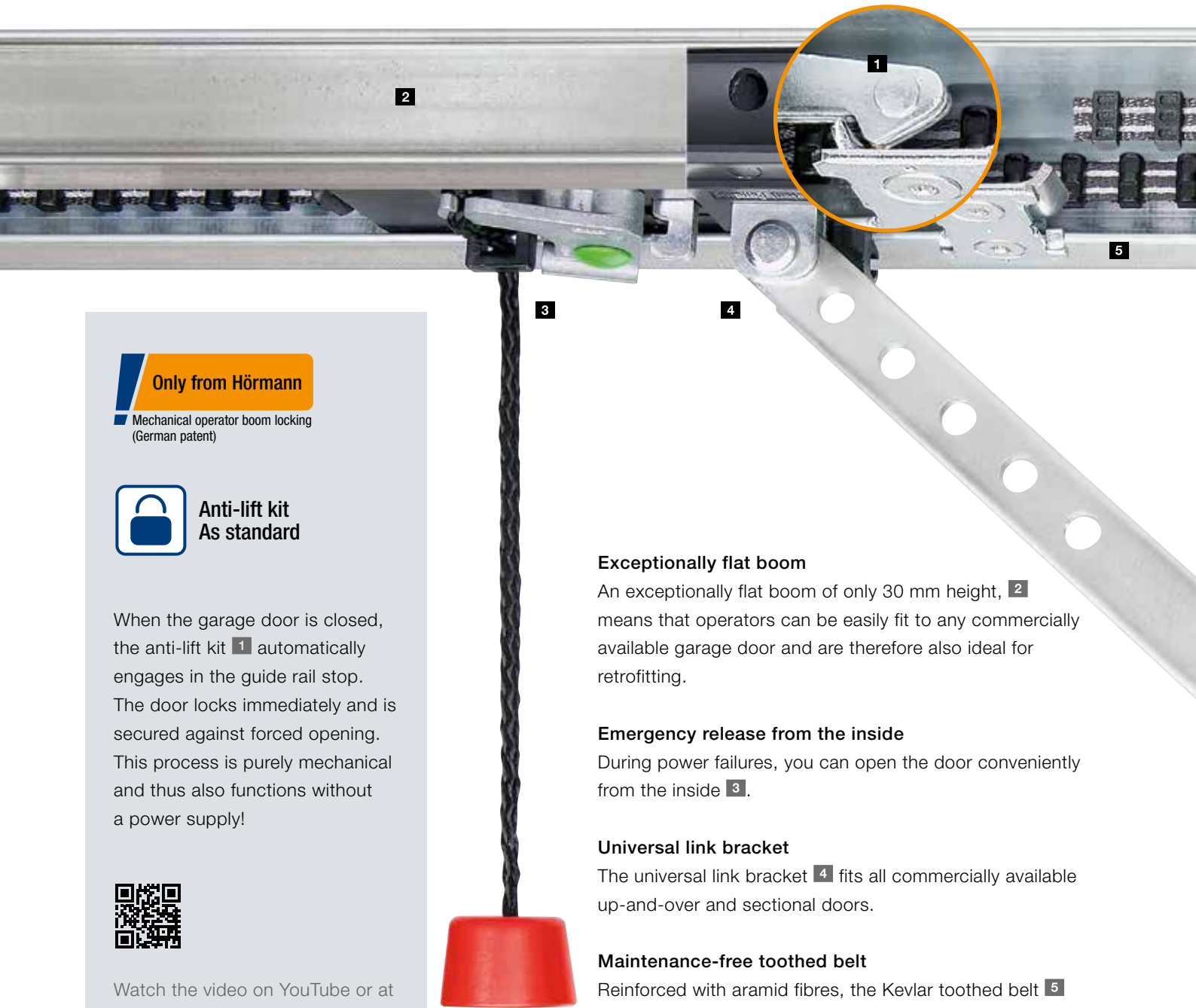


ProMatic 4 Akku ■ NEW for garages without a power connection

If your garage does not have a power connection, the ProMatic 4 Akku is the perfect solution for you. Depending on the frequency of daily door cycles you can control your operator up to several weeks. Once the battery is empty, you can recharge it via a standard power socket, for example over night. The optional solar module is particularly convenient as it charges the battery automatically (see page 43).

Operator boom

Garage door operator



Only from Hörmann

Mechanical operator boom locking
(German patent)



**Anti-lift kit
As standard**

When the garage door is closed, the anti-lift kit **1** automatically engages in the guide rail stop. The door locks immediately and is secured against forced opening. This process is purely mechanical and thus also functions without a power supply!



Watch the video on YouTube or at www.hoermann.com/videos

Exceptionally flat boom

An exceptionally flat boom of only 30 mm height, **2** means that operators can be easily fit to any commercially available garage door and are therefore also ideal for retrofitting.

Emergency release from the inside

During power failures, you can open the door conveniently from the inside **3**.

Universal link bracket

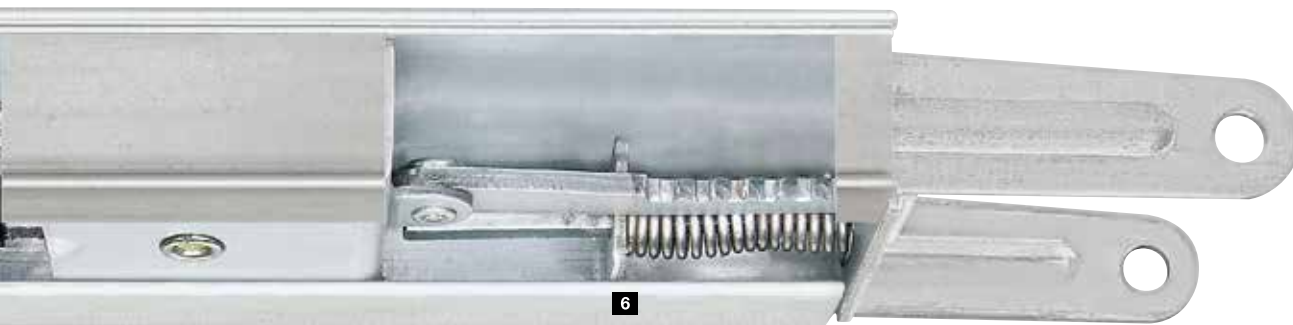
The universal link bracket **4** fits all commercially available up-and-over and sectional doors.

Maintenance-free toothed belt

Reinforced with aramid fibres, the Kevlar toothed belt **5** is particularly tear-resistant and quiet-running. It does not require grease or lubricants, providing an important advantage over chain or spindle operators.

Automatic belt tension

The strong spring mechanism **6** tensions the toothed belt automatically, thus ensuring uniform, smooth running.



Compact unit

Hörmann doors, operators and booms form a compact, permanently connected unit. Additional control units and exposed, movable connecting cables are not necessary.

Easy installation

Hörmann operators can be installed easily and quickly by your Hörmann partner. Using the adjustable suspensions, you can fix the boom in a variety of ways: either to the ceiling or directly to the reinforced connection profile of the Hörmann sectional door (up to 3000 mm door width). An additional advantage: just one suspension is sufficient, even for long booms.

Centre fitting

Centre fitting of the operator boom on the door leaf results in uniform pull forces. No jamming or wear, which is frequently the case with e.g. operators installed on one side.



Easy fitting

For Hörmann sectional doors up to 3000 mm door width, the operator boom can simply be fitted on the connection profile of the door.



Special track application for hinged garage doors

Thanks to simple fitting of the optional track application, retrofitting is also very easy.

RotaMatic

Entrance gate operator

SLIM AND ELEGANT. Thanks to its modern, slim design, the RotaMatic hinged gate operator perfectly matches your beautiful hinged gate. The functional and safety features are also exemplary. You can enjoy the convenience of an operator even if there is no direct connection to the mains supply. The RotaMatic Akku-Solar makes it possible.



4-button hand transmitter HSE 4 BS, black textured surface with plastic caps as standard, full-scale

Hinged gate operators	RotaMatic	RotaMatic P	RotaMatic PL	RotaMatic Akku-Solar
Bluetooth receiver	Optional (HET-BLE)	Optional (HET-BLE)	Optional (HET-BLE)	Optional (HET-BLE)
Hörmann homee	Compatible	Compatible	Compatible	Compatible
HCP interface	Integrated	Integrated	Integrated	Integrated
Cycles per day / hour	20 / 5	40 / 10	40 / 10	5 / 2
Max. spindle speeds	Approx. 25 mm/s	Approx. 25 mm/s	Approx. 25 mm/s	Approx. 15 mm/s
Max. pull / push force	2200 N	2700 N	2700 N	1100 N
Min. – max. door leaf width	1000 – 2500 mm	1000 – 2500 mm	1500 – 4000 mm	1000 – 2500 mm
Max. door leaf height	2000 mm	2000 mm	2000 mm	2000 mm
Max. weight	220 kg	400 kg	400 kg	120 kg



Special features



Practical pedestrian passage

With double-leaf doors, it is possible to only open one door leaf fully or partially for pedestrian passage.



Simple query of the door position

You can use the optional hand transmitter HS 5 BS or internal push button FIT 5 at any time to check if your entrance gate is closed.



Intelligent networking

Optional Smart Home system gateways can be easily connected via the HCP interface (see page 35).



Low power consumption

In standby, the operator uses less than 1 watt and protects the environment while also saving costs.



RotaMatic Akku-Solar for entrances without power connection

If there is no power outlet near your entrance gate, the powerful RotaMatic Akku-Solar is the perfect solution for you. This powerful battery (approx. 30 days operation period*) is securely stored in a separate housing. It is charged using the standard solar module.

* Based on an average of 5 door cycles per day and an ambient temperature of +20 °C

VersaMatic

Entrance gate operator

FLEXIBLE FOR SPECIAL FITTING

SITUATIONS. The hinged gate operator VersaMatic is the perfect solution even for unusual fitting situations. It is suitable for fitting to very low door pillars, for example. In addition, the fitting position is variable and can be optimally adjusted to suit any situation. Furthermore, no separate controls have to be installed – this saves time and space.



4-button hand transmitter HSE 4 BS, black textured surface with plastic caps as standard, full-scale

Hinged gate operators	VersaMatic	VersaMatic P	VersaMatic Akku-Solar
Bluetooth receiver	Optional (HET-BLE)	Optional (HET-BLE)	Optional (HET-BLE)
Hörmann homee	Compatible	Compatible	Compatible
HCP interface	Integrated	Integrated	Integrated
Cycles per day / hour	20 / 5	40 / 10	5 / 2
Maximum torque	250 Nm	300 Nm	200 Nm
Max. idling speeds	Approx. 2.6 rpm	Approx. 2.7 rpm	Approx. 1.7 rpm
Min. – max. door leaf width	1000 – 2000 mm	1000 – 3000 mm	1000 – 2000 mm
Max. door leaf height	2000 mm	2000 mm	2000 mm
Max. weight	200 kg	300 kg	150 kg



Special features



Gentle door travel

The adjustable speed and the soft-start and soft-stop functions ensure a smooth door travel and maximum convenience, even for larger gates.



Practical pedestrian passage

With double-leaf doors, it is possible to only open one door leaf fully or partially for pedestrian passage.



Simple query of the door position

You can use the optional hand transmitter HS 5 BS or internal push button FIT 5 at any time to check if your entrance gate is closed.



Intelligent networking

Optional Smart Home system gateways can be easily connected via the HCP interface (see page 35).



Low power consumption

In standby, the operator uses less than 1 watt and protects the environment while also saving costs.



VersaMatic Akku-Solar for entrances without power connection

The possibilities to supply the VersaMatic with power are just as versatile as the operator itself. If you don't have a power connection near your door, you can use the standalone VersaMatic Akku-Solar. This powerful battery (approx. 30 days operation period*) is securely stored in a separate housing. It is charged using the standard solar module.

* Based on an average of 5 door cycles per day and an ambient temperature of +20 °C

LineaMatic

Entrance gate operator

COMPACT AND RELIABLE. Highlights of the sliding gate operator LineaMatic include its compact, height-adjustable housing made of zinc die-cast and glass-fibre reinforced plastic, as well as its reliable operator electronics.



4-button hand transmitter HSE 4 BS, black textured surface with plastic caps as standard, full-scale

Sliding gate operators	LineaMatic	LineaMatic P	LineaMatic H (no radio)	LineaMatic Akku-Solar
Bluetooth receiver	Optional (HET-BLE)	Optional (HET-BLE)	Optional (HET-BLE)	Optional (HET-BLE)
Hörmann homee	Compatible	Compatible	Compatible *	Compatible
HCP interface	Integrated	Integrated	Integrated	Integrated
Cycles per day / hour	20 / 5	40 / 10	40 / 10	5 / 2
Max. door travel speeds	Approx. 22 cm/s	Approx. 20 cm/s	Approx. 15 cm/s	Approx. 15 cm/s
Max. pull / push force	800 N	1200 N	1400 N	800 N
Min. – max. door leaf width	800 – 6000 mm	800 – 8000 mm	800 – 10000 mm	800 – 6000 mm
Max. door leaf height	2000 mm	2000 mm	3000 mm	2000 mm
Max. weight	300 kg	500 kg	800 kg	200 kg
Max. self-supporting weight	250 kg	400 kg	600 kg	150 kg



Special features



Practical pedestrian passage

The door leaf can only be partially opened for pedestrian passage.



Simple query of the door position

You can use the optional hand transmitter HS 5 BS or internal push button FIT 5 at any time to check if your entrance gate is closed.*



Intelligent networking

Optional Smart Home system gateways can be easily connected via the HCP interface (see page 35).



Low power consumption

In standby, the operator uses less than 1 watt and protects the environment while also saving costs.

* LineaMatic H only in conjunction with the BiSecur radio receiver ESE



LineaMatic Akku-Solar for entrances without power connection

The Akku-Solar variant is recommended if your entrance gate does not feature a power connection. This powerful battery (approx. 30 days operation period*) is securely stored in a separate housing. It is charged using the standard solar module.

* Based on an average of 5 door cycles per day and an ambient temperature of +20 °C

STA 400

Entrance gate operator

ROBUST FOR HEAVY GATES. The sliding gate operator STA 400 is specifically designed for large gates. The matching control B 460 FU ensures precise gate travel and smooth stopping.



Sliding gate operator	STA 400
Bluetooth receiver	Optional (HET-BLE)
Cycles per day / hour	100 / 20
Max. pull / push force	2300 N
Min. – max. door leaf width	1000 – 17000 mm
Max. door leaf height	3000 mm
Max. weight	2500 kg
Max. self-supporting weight	1800 kg



Sound-absorbing seal

A sound-absorbing seal reduces the forces that arise during a collision with vehicles or people and thus also reduces damage or injuries. It is sold separately for hinged gates **1** or sliding gates **2**. The operating forces for the operators RotaMatic, VersaMatic and LineaMatic with a sound-absorbing seal have been tested and certified for many door sizes and fitting situations by a recognised test institute.



3 Electric lock

Hinged gates are subjected to enormous forces under high wind loads. An additional electric lock secures them from being blown open.

4 Warning light

A warning light during door travel provides you with extra security, day and night.



Smart Home

Overview

AS INDIVIDUAL AS YOU. Be it smartphone app or external Smart Home system – choose your personal favourite to conveniently control your operators, locks or other devices. In the overview you can see which technology suits your requirements.

- 1 Garage door operators
- 2 Entrance gate operators
- 3 Entrance door locks
- 4 Door operators
- 5 Receivers, sockets, switches
- 6 Lighting
- 7 Roller shutters and blinds*
- 8 Security cameras*
- 9 Smoke and movement detector*
- 10 Door and window contacts as well as alarm systems*
- 11 Radiator thermostats*
- 12 Weather stations*

* Depending on the Smart Home system



HÖRMANN HOMEE. From your couch, in the office or on holiday. If required, you have full control over your gates, doors and other connected devices at all times. **At any time of day or night, from anywhere around the world** – by simply using your smartphone, tablet or PC. The **Hörmann homee Brain Smart Home control centre** can also be extended with additional radio technology to meet your precise needs (see pages 32 – 34).



EXTERNAL SMART HOME SYSTEMS.

Via the **HCP bus**, you can network your garage door and entrance gate operators with external Smart Home systems using optional modules. Benefit from the numerous operating, energy and safety functions of Homematic, DeltaDore, KNX and Apple HomeKit (see page 35).

HÖRMANN BLUESECUR APP. Operate all your doors and gates equipped with a Bluetooth receiver conveniently via your smartphone.

Using individual user keys, you can transfer authorisations very simply to other smartphones, so that every family member always has their door opener with them (see pages 36 – 37).

Smart Home

Hörmann homee

CONVENIENT OPERATION



Free app for smartphones and tablets



Web app for PC



Voice control via Amazon Alexa, Google Assistant, Apple Siri

EASY INSTALLATION

The Hörmann homee Brain Smart Home control centre is simply integrated into your home network via a WiFi connection* to your router.

* Optional LAN adapter available



You can find further information at www.hoermann.de/homee



USEFUL FUNCTIONS



Automation with Homee grammars



Simple operation by grouping devices



Weather forecast



Time / calendar function



NEW. Automatic presence detection by Geofencing

VERSATILE RADIO CONTROL

Hörmann BiSecur radio system as standard

For an exact list of compatible Hörmann products, please refer to the compatibility overview at www.hoermann.com/en/media-centre/

WiFi radio system as standard

Compatible with Smart Home systems: AVM Smart Home, Netatmo, Belkin, Nuki, Homematic, myStrom, WOLF Haustechnik



Garage door operators



Entrance gate operators



Security (e.g. alarm systems and cameras, smoke and movement detectors, window and door contacts, roller shutters and blinds)



Door operators



Entrance door locks



Convenience (e.g. lighting, radio receivers, switches)



Socket receivers



Energy-saving (e.g. heating thermostats, weather stations, rain sensors)



Clear, simple, individual

1 Convenient operation

All functions that you control with your hand transmitters can also be executed with the app. The intuitive menu navigation and a clearly organised navigation structure make operation a breeze.

2 Simple overview

With the app, you have an exact overview of the status of your garage door and entrance gate, your entrance door lock and all other connected devices at all times. Self-explanatory icons show you whether your doors are open or closed or whether your entrance door lock is locked or unlocked.

3 Setting up Homegramms

Simply combine several individual functions to make convenient Homegramms. A scenario means that, at the press of a button, you can open or close your garage door and entrance gate at the same time, or control your entrance door together with your external lighting. You create the Homegramms individually for your personal app usage – exactly the way you want them to be.

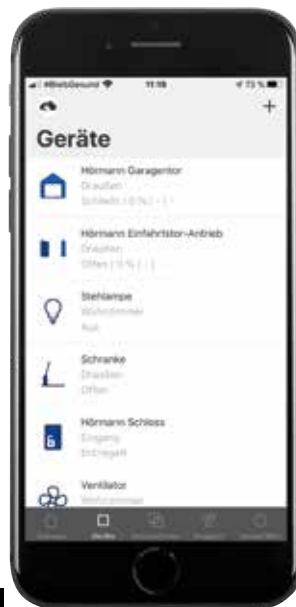
4 Worldwide networking

Whether on the couch, in the office or on holiday: If required, you can have full control over your networked devices at all times and can choose to be informed by push message* if, for example, the entrance door lock is unlocked via the app or the movement detector detects a person.

* In conjunction with a corresponding Homeogramm



1



2



3



4

Smart Home

Hörmann homee

EXPAND YOUR POSSIBILITIES. The Hörmann homee Brain Smart Home control centre with BiSecur and WiFi radio as standard can be expanded at any time with new cubes, and therefore with additional radio systems. Each cube is responsible for another radio technology and can “talk” to other devices.



Watch the video on YouTube or at www.hoermann.com/videos

ZigBee radio system

The Zigbee cube can primarily be used to connect smart devices from the lighting sector, such as Philips Hue or IKEA TRÅDFRI.

EnOcean radio system

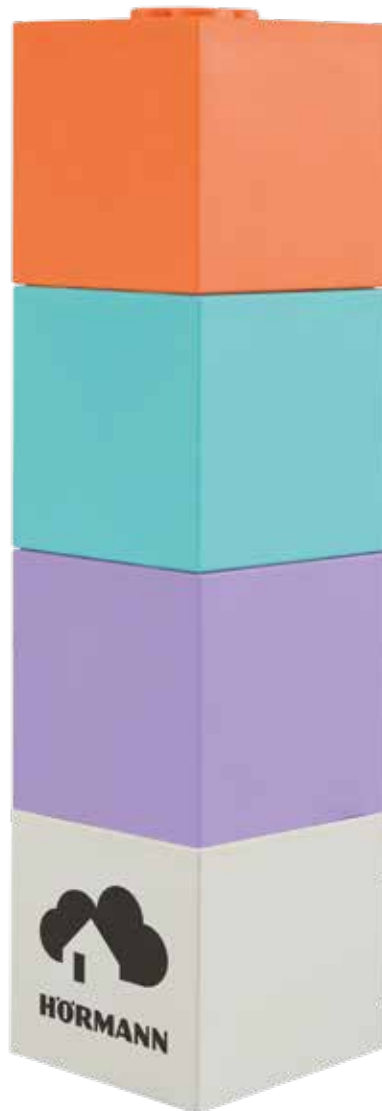
The radio system is known for its battery-free devices such as from AFRISO, Eltako or Hoppe.

Z-Wave radio system

From Abus, Eurotronic and Fibaro to Zipato, you can simply connect them all with this cube.

WiFi radio system

The basis for your intelligent home connects many devices from Netatmo Homematic, AVM FRITZ or Nuki. It is integrated in the Hörmann homee Brain as standard and can be operated by smartphone app and voice control (Alexa, Google Assistant, Apple Siri).



SECURITY

e.g. alarm systems and cameras, smoke and movement detectors, window and door contacts, roller shutters and blinds



CONVENIENCE

e.g. lighting, socket receivers, switches



ENERGY-SAVING

e.g. heating thermostats, weather stations, rain sensors



homematic IP

IP gateway with radio connection to the Smart Home system



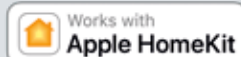
DELTA DORE

Gateway with radio connection to the Smart Home system



KNX

Gateway for control via the KNX building automation



Internal push button with WiFi connection to the Apple HomeKit system, button functions impulse, light and 2nd opening height



HCP HUB3

For connection of up to 3 gateways on the HCP bus to operators SupraMatic 4 and ProMatic 4



SECURITY

e.g. alarm systems and cameras, smoke and movement detectors, window and door contacts, roller shutters and blinds



CONVENIENCE

e.g. lighting, socket receivers, switches



ENERGY-SAVING

e.g. heating thermostats, weather stations, rain sensors

Smart Home

Hörmann BlueSecur App

GARAGE DOOR OPERATORS*



Open door



Close door



Half open



Impulse
Open / Close



Ventilation
opening



Operator light



ENTRANCE GATE OPERATORS*



Open door



Close door



Pedestrian
passage

DOOR LOCKS*



Temporary lock release



Permanent lock release

RECEIVER*



Switch on



Switch off

* Functions dependent on the respective operator, lock or receiver



Only from Hörmann
European patent

Hörmann BlueSecur

Easy installation

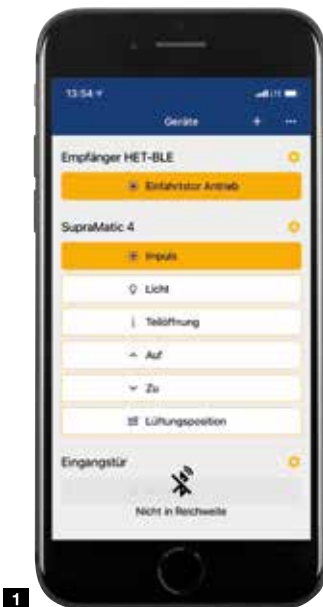
- Download the Hörmann BlueSecur app
- Scan the QR code for the operator or external receiver
- Automatic transmission of control functions to the smartphone
- Individual setting of the desired functions by the user **1**

Convenient operation

- Via smartphone (no hand transmitter or control element required)
- Custom receiver and device names as well as control function names **2**
- Individual selection of control functions per receiver / operator

Individual user administration

- One free user key included (with automatic admin function) **3**
- Additional permanent user keys for transfer to additional smartphones available in the AppStore or at Google Play **4**
- Set of keys for €8.99 (1 admin or user key)
- Set of keys for €34.99 (5 user keys or 1 admin and 4 user keys)



1



2



3



4

Accessories

Hand transmitter



HS 5 BS
4 button functions, plus query button, high-gloss surface black or white



HS 5 BS
4 button functions, plus query button, textured surface matt black



HS 4 BS
4 button functions, textured surface matt black



HS 1 BS
1 button function, textured surface matt black



HSE 1 BS
1 button function, including eyelet for key ring, textured surface matt black



HSE 4 BS
4 button functions, incl. eyelet for key ring, textured surface matt black with chrome or plastic caps



HSE 4 BS
4 button functions, incl. eyelet for key ring, high-gloss surface with chrome caps, colours (shown from left): Anthracite grey, Frozen Grey, Classic Grey, Carbon, Silver ■ **NEW**



HSD 2-C BS
High-gloss chrome, 2 button functions, can also be used as a key ring



HSZ 1 BS / HSZ 2 BS
1 or 2 button functions, for insertion in vehicle cigarette lighter



Hand transmitter station
In high-gloss surface black or white, textured surface matt black, for HS 5 BS, HS 4 BS, HS 1 BS



Hand transmitter holder
For wall fitting or fastening to the sun visor of a car, transparent, for HS 5 BS, HS 4 BS, HS 1 BS as well as HSE 1 BS and HSE 4 BS



**Radio code switch
FCT 3 BS**

3 functions, with illuminated buttons, recessed or surface-mounted fitting possible, plastic housing in Light grey RAL 7040 (also available with 10 functions and hinged cover, painted in White aluminium RAL 9006)



**Radio code switch
FCT 10 BS**

10 functions, with illuminated buttons and hinged cover, recessed or surface-mounted fitting possible, plastic housing in White aluminium RAL 9006



**Radio finger-scan
FFL 25 BS**

2 functions and up to 25 fingerprints, with hinged cover, recessed and surface-mounted fitting possible, plastic housing painted in White aluminium RAL 9006



**Radio internal push button
FIT 1 BS**

1 button function with large button for simple operation, plastic housing in Pure white RAL 9010



**Radio internal push button
FIT 4 BS**

4 button functions, plastic housing in Pure white RAL 9010



**Radio internal push button
FIT 5 BS**

4 button functions plus query button, plastic housing in Pure white RAL 9010



**Radio internal push button
FIT 2-1 BS**

2 functions, connection option for max. 2 control elements via cable, e.g. key switch, plastic housing in Pure white RAL 9010

Internal push button



Recessed radio transmitter
2 functions, for recessed buttons, central installation in the house within sight of the garage door

HSU 2 BS: for switch boxes with 55 mm Ø with connection to the house mains supply

FUS 2 BS: for switch boxes with 55 mm Ø, including 1.5 V battery



**Internal push button
IT 1b-1**

Large, illuminated button for convenient opening of the door, plastic housing in Pure white RAL 9010



**Internal push button
IT 3b-1**

Large button with illuminated ring for opening of the door, buttons for the operator light and to switch off the radio control, plastic housing in Pure white RAL 9010



Radio radar button FSR 1 BS

1 function, operating voltage 230 V

Radar button HTR 1-230

1 function, relay output for connecting to a switch cable, operating voltage: 230 V

Radar button HTR 1-24

Same function as HTR 1-230, operating voltage 24 V

Accessories

Exterior button



Transponder key switch TTR 1000-1
1 function, 1000 teachable keys, scope of delivery: 1 key and 1 card (more on request), zinc die-cast housing in White aluminium RAL 9006



Code switch CTP 3-1
3 functions, with illuminated lettering and touch-sensitive black surface, zinc die-cast housing in White aluminium RAL 9006



Code switch CTR 1b-1/3b-1
1 or 3 functions, plastic housing in Light grey RAL 7040



Decoder unit included in the scope of delivery with the TTR 1000-1, CTP 3-1, CTR 1b-1/3b-1
Fitting inside the garage with cable connection to the button



Code switch CTV 3-1
3 functions, particularly robust with metal keypad, zinc die-cast housing in White aluminium RAL 9006 with stainless steel panel



Finger-scan FL 150
2 functions, control via fingerprint, up to 150 savable fingerprints, zinc die-cast housing in White aluminium RAL 9006 with stainless steel panel



Key switch STUP 50/STAP 50
Recessed version and surface-mounted version, incl. 3 keys, zinc die-cast housing in White aluminium RAL 9006 with stainless steel panel (Shown from left)



Key switch ESU 40/ESA 40
Recessed version and surface-mounted version, incl. 3 keys, zinc die-cast housing in Light grey RAL 7040 with stainless steel panel (Shown from left)

Sensors



Inside climate sensor HKSI
For monitoring humidity and automatic ventilation of the garage, plastic housing in Pure white RAL 9010



External sensor HKSA
For measuring outdoor humidity, plastic housing in Pure white RAL 9010

Radio receiver, adapter print, option relay



**Radio socket
FES 1 BS**

For switching lights as well as other devices on and off, up to 2500 W, plastic housing in Pure white RAL 9010, Hörmann homee compatible

FES 1-1 BS: same as FES 1 BS, additionally for control (impulse) of operators of other makes



**Bluetooth receiver
HET-BLE**

For operation, impulse control of garage door and entrance gate operators (series 1-3 and operators of other makes), electric strikes for entrance doors and internal door operators via the Hörmann BlueSecur app



**Radio receiver
HEU 2 BS**

For operation of 2 consumers, for recessed sockets with 55 mm Ø with connection to the house mains supply, Hörmann homee compatible



**Radio receiver
HER 1**

1, 2 or 4 channels to operate an additional external light or a garage door (of other make) using Hörmann radio accessories, Hörmann homee compatible



Radio receiver ESE

External radio receiver to increase the radio range



Option relay HOR

For control of a garage light or warning light



Universal adapter print UAP

For functional extension, e.g. direction selection (Open / Stop / Close), control of operator light and partial opening function

Photocells



One-way photocell EL 71-B

As additional safety equipment for entrance gate operators RotaMatic, VersaMatic and LineaMatic, power supply via battery or cable, max. door width 20 m (or 10 m with battery operation)



One-way photocell EL 101

As additional safety equipment for all garage door operators, connection via cable (on the operator)



One-way photocell EL 301

As additional safety equipment for all garage door and entrance gate operators, connection via cable (on the operator)

Accessories

Emergency power supply, emergency release



Emergency battery HNA for garage door operators

With this emergency power supply, you can bypass network power failures for up to 18 hours and max. 5 door cycles.

The emergency battery recharges itself during normal operation. Emergency batteries can be added to all current Hörmann garage door operators.



Emergency battery HNA Outdoor for entrance gate operators

The RotaMatic and VersaMatic hinged gate operators, and LineaMatic sliding gate operator can also be equipped with an emergency power supply to bridge power failures. They can be universally fitted to the wall or floor.



Emergency release, up-and-over doors and sectional doors with handle

For up-and-over and sectional doors with a handle, you can use a door handle to operate the emergency release. The door is then unlocked via a Bowden cable on the inside. The emergency release handle including lock can be integrated in the master key system (Figure shows door handle for sectional garage door).



Emergency release for sectional doors without handle

The emergency release lock with an inconspicuous round cylinder (cannot be integrated in the master key system) releases your garage door and you can easily open it in case of an emergency.

Solar module



Solar module for garage door operator ProMatic 4 Akku

Approx. 40 days operation period*;
weight 8.8 kg;
dimensions 330 x 220 x 115 mm



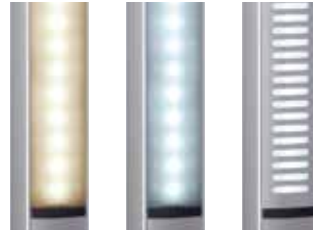
Dripping water protective cover for garage door operators SupraMatic and ProMatic ■ NEW

To protect the operator from the ingress of dripping water, e.g. for fitting under a carport; protection category of the operator in combination with the dripping water protective cover: IP X1

* Based on an average of 5 door cycles per day and an ambient temperature of +20 °C



LED light strip for doors
Neutral white light, plug-in system
can be individually shortened,
fitting to lintel (Fig.) or bottom edge
of door leaf



LED light modules
Warm or natural white light,
optional aluminium design panel
(Shown from left)



Light key switch post SLS-K
With LED light module
Height 550 mm

SLS-L
With LED light module and design
screen
Height 1080 mm
(Shown from left)







Safety key switch post STL
Basic version with support box
for a photocell with a height of
550 mm

Version for two optional photocells
Version for an optional photocell
and LED light module
(Shown from left)

Technical data

Garage door operators SupraMatic, ProMatic

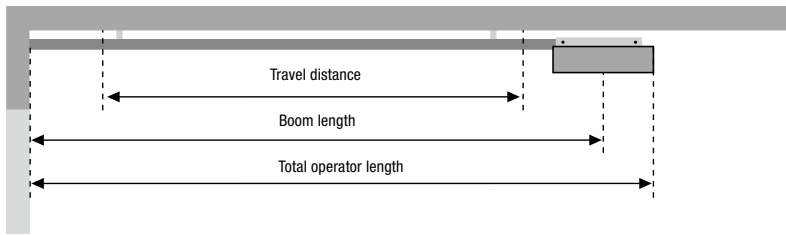
		 BiSecur SupraMatic 4 E	 BiSecur SupraMatic 4 P	 BiSecur ProMatic 4	 BiSecur ProMatic 4 Akku
Door cycles (Open / Close)	Per day / hour	25 / 10	50 / 10	25 / 10	5 / 2
Suitable for:	Doors with wicket door / timber doors	● / ●	● / ●	● / ●	● / ●
	Max. door width	5500 mm	6000 mm	5000 mm	4000 mm
	Max. door leaf surface	13.75 m ²	15.00 m ²	11.25 m ²	9 m ²
Operator data	24 V DC gear drive	●	●	●	●
	Mains voltage	230 V – 240 V AC			See the technical manual
	Power input	0.2 kW	0.2 kW	0.2 kW	
	Pull and push force	650 N	750 N	600 N	500 N
	Brief peak force	800 N	1000 N	750 N	600 N
	Max. opening speed	25 cm/s ¹⁾	25 cm/s ¹⁾	20 cm/s ¹⁾	16 cm/s
	Standby	< 1 watts	< 1 watts	< 1 watts	< 0.2 watts
	Housing	Stainless steel and plastic, galvanized steel base plate		Plastic, galvanized steel base plate	
	Temperature range	–20 °C to +60 °C			–15 °C to +45 °C
	Protection category	Only suitable for dry rooms			
	Control electronics	Display	Double 7-segment display		LED
Operation and programming		Control element with buttons		in the operator cover	
Impulse control		●	●	●	●
Adjustable power limit		●	●	●	●
Adjustable soft start and soft stop		●	●	–	–
Adjustable belt relief		●	●	●	●
Adjustable operator light, partial opening and ventilation position		●	●	●	●
Adjustable automatic timer		5 – 300 s	5 – 300 s	30 – 180 s	30 – 180 s
Adjustable partial opening, automatic timer		5 – 240 s	5 – 240 s	–	–
Adjustable / pre-set operator light		30 – 600 s / 60 s	30 – 600 s / 60 s	– / 120 s	– / 120 s
High-speed opening		●	●	●	●
Equipment	Hand transmitter (868 MHz)	HSE 4 BS (black structured surface with chrome caps)		HSE 4 BS (textured surface black with plastic caps)	
	Integrated receiver (868 MHz)	Bi-directional 5-channel receiver BS			
	Bluetooth receiver	●	●	○ ²⁾	○ ²⁾
	LED lighting / LED chase light	20 LEDs / –	30 LEDs / ●	10 LEDs / –	10 LEDs / –
	Connection for photocell / closing edge safety device	● / ●	● / ●	● / ●	● / ●
	Connection of external control elements	●	●	●	●
	Connection for emergency battery	●	●	●	●
	Quick release operated from the inside	●	●	●	●
	Connecting lead with CEE plug	●	●	●	●
	Anti-lift kit for break-in resistance equipment	●	●	●	●
Universal installation bracket for up-and-over doors and sectional doors	●	●	●	●	

¹⁾ For sectional garage door

²⁾ In conjunction with receiver HET-BLE

● = Standard
○ = Optional

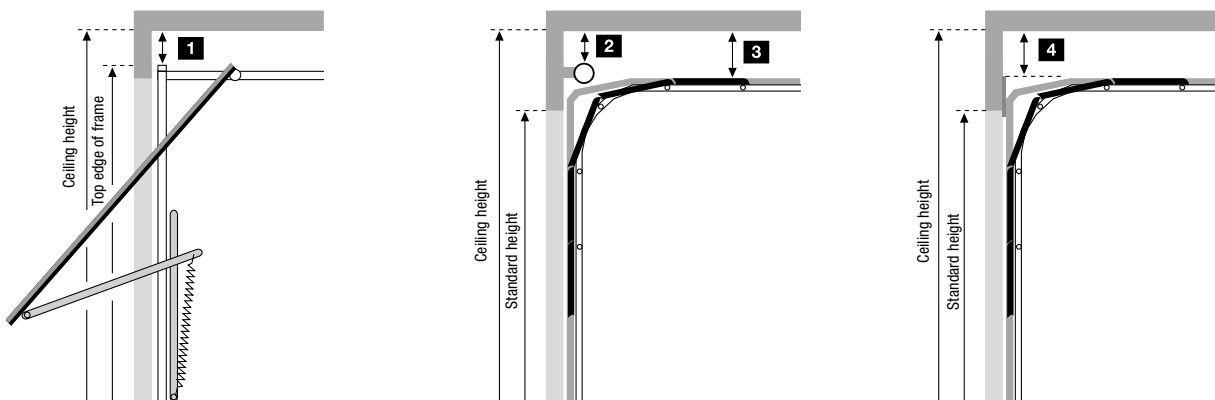
Dimensions in mm



Type of boom	Overall length	Boom length	Travel distance
K Short boom	3200	2975	2475
M Medium boom	3450	3225	2725
L Long boom	4125	3900	3400

Boom applications for Hörmann garage doors	Height
K Up-and-over garage doors Sectional garage doors with track application N Sectional garage doors with track application Z, L, H	Up to 2500 Up to 2250 Up to 2125
M Up-and-over garage doors Sectional garage doors with track application N Sectional garage doors with track application Z, L, H	Up to 2750 Up to 2500 Up to 2375
L Sectional garage doors with track application N, Z, L, H	Up to 3000

Note the travel distance for doors of other makes!



Required clearance





1 Up-and-over garage doors		2 Sectional garage doors with torsion spring assembly		4 Sectional garage doors with tension spring assembly	
N80	0	With track application N Ceiling height = standard height + 210	0	With track application Z Ceiling height = standard height + 115	15
N80, design 905, design 941 or with timber infill	15	With track application H	0		
DF98, DF95, DF80	65				
		3 Sectional garage doors with torsion spring assembly		Doors of other makes	
		With track application L Ceiling height = standard height + 115	15	Between the highest point of door travel and the ceiling	30

Please note:

The operators on double-skinned doors directed towards the sunlight should be fitted 40 mm higher due to possible section deflection.
All dimensions are minimum dimensions in mm.

Technical data

Hinged gate operators RotaMatic

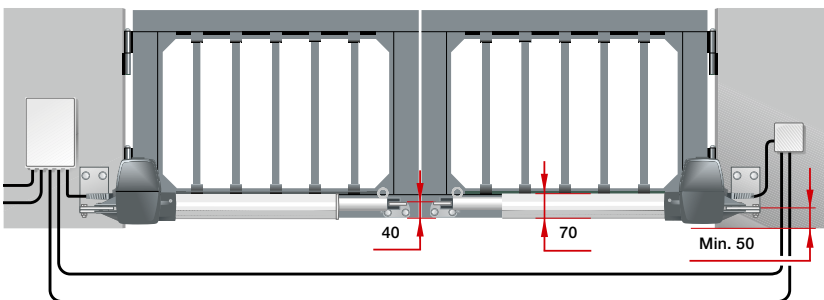
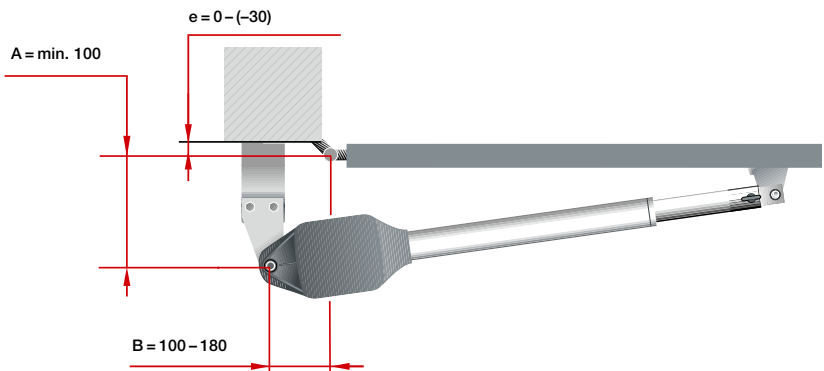
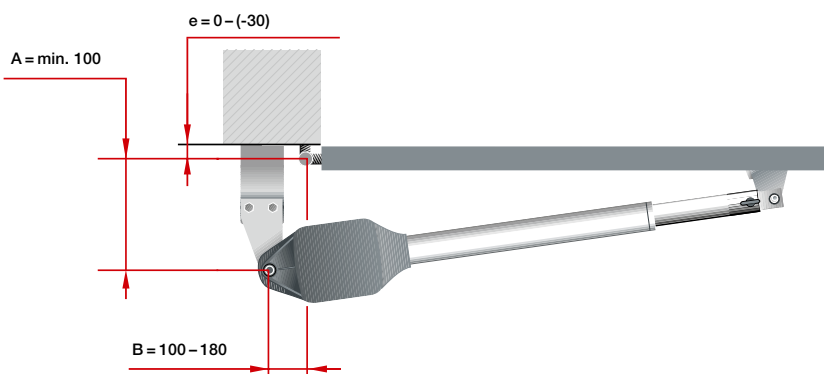
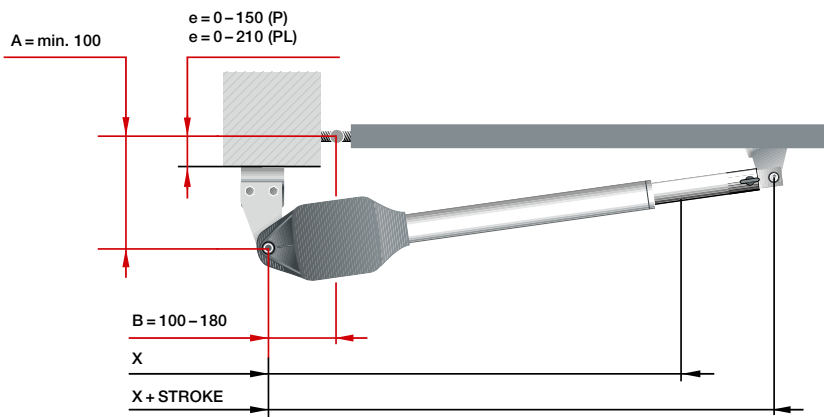
		 BiSecur RotaMatic	 BiSecur RotaMatic P	 BiSecur RotaMatic PL	 BiSecur RotaMatic Akku-Solar
Door cycles (Open / Close)	Per day / hour	20 / 5	40 / 10	40 / 10	5 / 2
Suitable for:	Max. door height	2000 mm	2000 mm	2000 mm	3000 mm
	Leaf width min. – max.	1000–2500 mm	1000–2500 mm	1500–4000 mm	1000–2500 mm
	Max. door leaf weight	220 kg	400 kg	400 kg	120 kg
Operator data	Motor	24 V DC gear drive			
	Mains voltage	230 V – 240 V AC, 50 Hz			Replacement battery WA24 / solar module
	Max. spindle speeds	Approx. 25 mm/s	Approx. 25 mm/s	Approx. 25 mm/s	Approx. 15 mm/s
	Pull / push force	2000 N	2500 N	2500 N	1000 N
	Brief peak force	2200 N	2700 N	2700 N	1100 N
	Standby	< 1 watts	< 1 watts	< 1 watts	< 0.1 watts
	Housing	Aluminium / weather-resistant plastic	Aluminium / die-cast zinc / weather-resistant plastic		Aluminium / weather-resistant plastic
	Temperature range		–20 °C to +60 °C		–15 °C to +45 °C
	Protection category	IP 44	IP 44	IP 44	IP 44
	Control electronics	Protection category (separate control housing)	IP 65	IP 65	IP 65
	Impulse control	●	●	●	●
	Power limit	●	●	●	●
	Soft start and soft stop	●	●	●	●
	Adjustable automatic timer	●	●	●	●
	Number of connectable safety devices	3	3	3	1
End-of-travel position	Closed	Can be set with an integrated limit switch or end stop			
	Open	Programmable (i.e. no end stop required!)			
Equipment	Hand transmitter (868 MHz)	HSE 4 BS (textured surface black with plastic caps)			
	Integrated receiver (868 MHz)	Bi-directional 5-channel receiver			
	Query of the door position	●			
	Bluetooth receiver	○*			
Electrical connection	Mains lead	230 V, NYY 3 × 1.5 mm ² (on-site)			
	Motor cable	Connecting lead up to 10 m NYY 5 × 1.5 mm ² (on-site)			
	Additional connection cable	All cables underground NYY, e. g. 5 × 1.5 mm ²			
	Electric lock connecting lead	NYY 3 × 1.5 mm ² (on-site) underground H07RN-F 2 × 1 mm ² on the door leaf			

Lay all cables separately!

* In conjunction with receiver HET-BLE

● = Standard
○ = Optional

Dimensions in mm

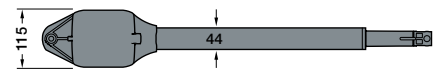
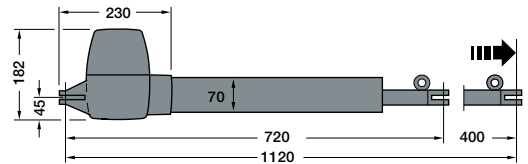


Dimensions in mm

RotaMatic

Dimensions	x	x + stroke
RotaMatic / RotaMatic P	720	1120
RotaMatic PL	820	1320

e = distance between door pivot and mounting plate



For Hörmann partners

With the planning program for hinged gate operators, Hörmann supports you in planning and fitting your hinged gate operator. You can find the program in the Hörmann dealer forum as a free download.




Please note:

To ensure optimum door travel, the maximum difference between the A dimension and the B dimension must be 40 mm.

All illustrations and information with standard tracks. Additional equipment features possible.

Technical data

Hinged gate operators VersaMatic

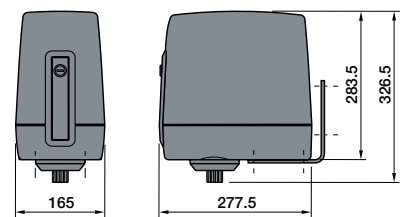
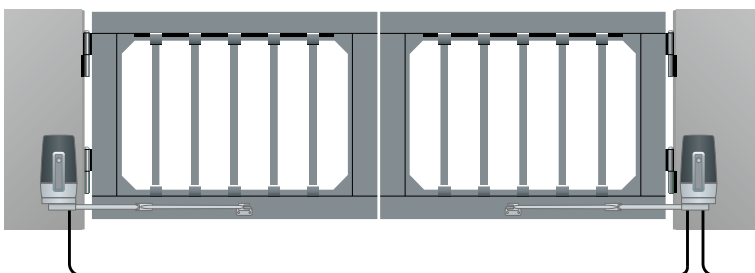
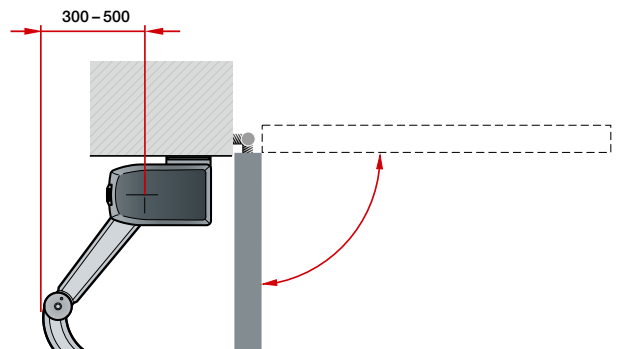
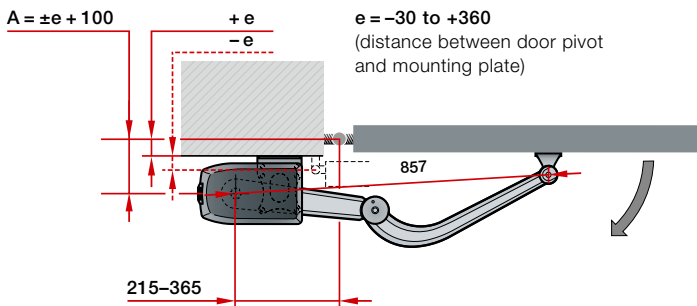
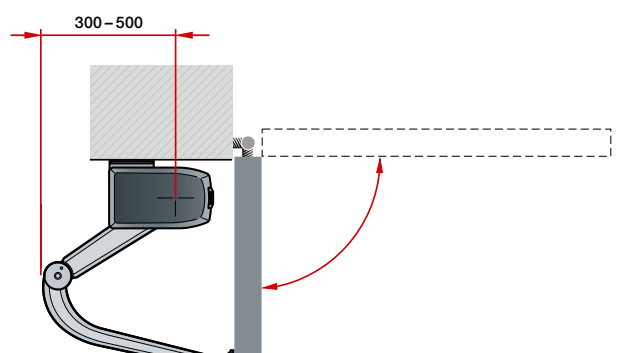
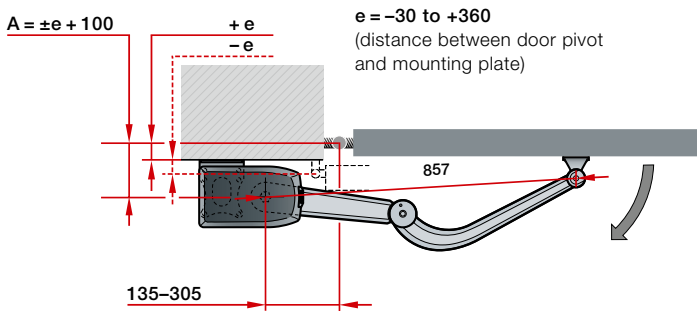
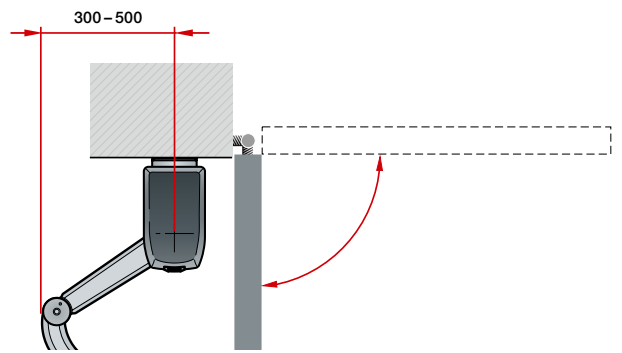
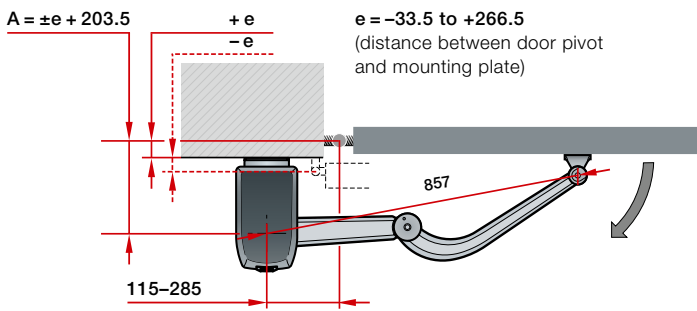
		 VersaMatic	 VersaMatic P	 VersaMatic Akku-Solar
Door cycles (Open / Close)	Per day / hour	20 / 5	40 / 10	5 / 2
Suitable for:	Max. door height	2000 mm	2000 mm	2000 mm
	Leaf width min. – max.	1000 – 2000 mm	1000 – 3000 mm	1000 – 2000 mm
	Max. door leaf weight	200 kg	300 kg	120 kg
Operator data	Motor	24 V DC gear drive		
	Mains voltage	230 V – 240 V AC, 50 Hz		Replacement battery WA24 / solar module
	Nominal torque	50 Nm	60 Nm	50 Nm
	Maximum torque	250 Nm	300 Nm	250 Nm
	Maximum idle speed	Approx. 2.6 rpm	Approx. 2.7 rpm	Approx. 1.7 rpm
	Standby	< 1 watts	< 1 watts	< 0.4 watts
	Housing	Aluminium / zinc die-cast / weather-resistant, glass-fibre reinforced plastic		
	Temperature range	–20 °C to +60 °C		–15 °C to +45 °C
	Protection category	IP 44	IP 44	IP 44
	Control electronics	Protection category (separate control housing)	IP 65	IP 65
Impulse control		●	●	●
Power limit		●	●	●
Soft start and soft stop		●	●	●
Adjustable automatic timer		●	●	●
Number of connectable safety devices		3	3	1
End-of-travel position	Closed	Adjustable via integrated end stop or end stop on site		
	Open	Adjustable through integrated end stop or programmable (i.e. no on-site end stop required!)		
Equipment	Hand transmitter (868 MHz)	HSE 4 BS (textured surface black with plastic caps)		
	Integrated receiver (868 MHz)	Bi-directional 5-channel receiver		
	Query of the door position	●		
	Bluetooth receiver	○*		
Electrical connection	Mains lead	230 V, NYY 3 × 1.5 mm ² (on-site), max. length 30 m		
	Motor cable	NYY 5 × 1.5 mm ² (on-site)		
	Additional connection cable	All cables underground NYY, e. g. 5 × 1.5 mm ² (on-site, max. length 30 m)		
	Electric lock connecting lead	NYY 3 × 1.5 mm ² (on-site, maximum length 30 m) underground H07RN-F 2 × 1 mm ² on the door leaf		

Lay all cables separately!

* In conjunction with receiver HET-BLE

● = Standard
○ = Optional

Dimensions in mm






Dimensions in mm

Please note:
All illustrations and information with standard tracks. Additional equipment features possible.

Technical data

Sliding gate operators LineaMatic, STA 400

		 BiSecur LineaMatic	 BiSecur LineaMatic P	LineaMatic H	 BiSecur LineaMatic Akku-Solar	STA 400
Door cycles (Open / Close)	Per day / hour	20 / 5	40 / 10	40 / 10	5 / 2	100 / 20
Suitable for:	Max. door height	2000 mm	2000 mm	2000 mm	2000 mm	3000 mm
	Min. – max. door width	800 – 6000 mm	800 – 8000 mm	800 – 10000 mm	800 – 6000 mm	1000 – 17000 mm
	Max. door weight For bottom-guided gates For self-supporting gates	300 kg 250 kg	500 kg 400 kg	800 kg 600 kg	200 kg 150 kg	2500 kg 1800 kg
Operator data	Motor	24 V DC gear drive				1-phase current gear drive
	Mains voltage	230 V – 240 V AC, 50 Hz			Replacement battery WA24 / solar module	230 V – 240 V AC, 50 Hz
	Max. door travel speeds	Approx. 22 cm/s	Approx. 20 cm/s	Approx. 15 cm/s	Approx. 15 cm/s	
	Pull / push force	650 N	1000 N	1200 N	600 N	2000 N
	Brief peak force	800 N	1200 N	1400 N	800 N	2300 N
	Standby	< 1 watts	< 1 watts	< 1 watts	< 0.4 watts	< 7 watts
	Housing	Zinc die-cast / weather-resistant plastic				Weather-resistant plastic
	Temperature range	–20 °C to +60 °C			–15 °C to +45 °C	–20 °C to +60 °C
	Protection category	IP 44	IP 44	IP 44	IP 44	IP 65
	Control electronics	Control integrated in the housing	●	●	●	●
Adjustable power limit		●	●	●	●	●
Adjustable soft start and soft stop		●	●	●	●	●
Magnetic limit switch		●	●	●	●	
Electronic door position sensor						●
Integrated automatic timer		●	●	●	●	●
Pedestrian passage programmable		●	●	●	●	●
Number of connectable safety devices		3	3	3	3	3
Equipment	Hand transmitter (868 MHz)	HSE 4 BS (textured surface black with plastic caps)		Without remote control	HSE 4 BS (textured surface black with plastic caps)	Without remote control
	Integrated receiver (868 MHz)	Bi-directional 5-channel receiver			Bi-directional 5-channel receiver	
	Query of the door position	●		○ ¹⁾	●	–
	Bluetooth receiver			○ ²⁾		
Electrical connection	Mains lead	230 V, NYY 3 × 1.5 mm ² (on-site)				
	Additional connection cable	All cables underground NYY, e. g. 5 × 1.5 mm ²				
	Foundation dimensions	Min. 440 × 300 × 800 mm (frost-resistant)				710 × 410 × 800 mm (frost-resistant)
	Connecting lead	See Figure for position of tube				

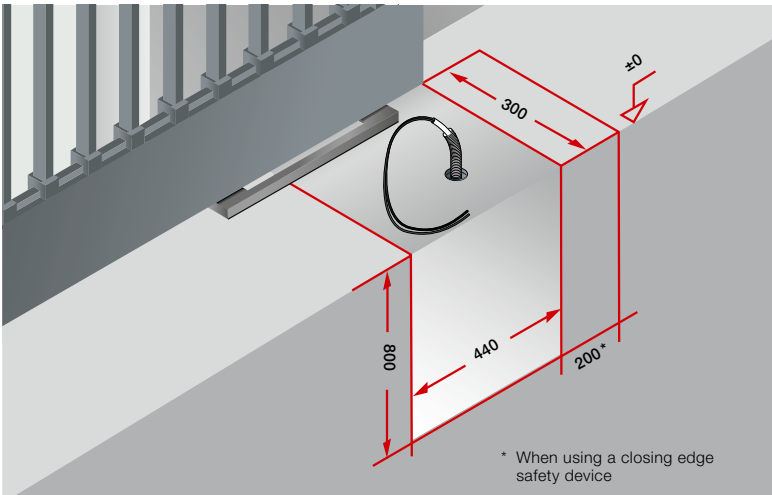
Lay all cables separately!

¹⁾ Optional with ESE

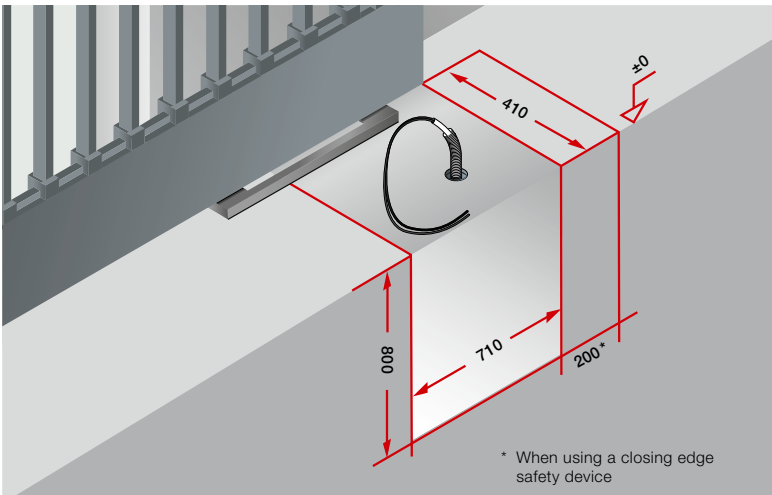
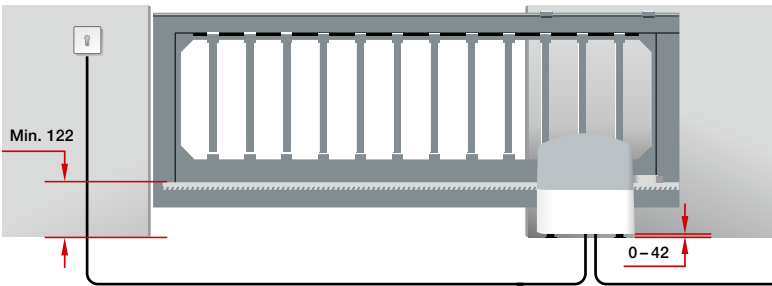
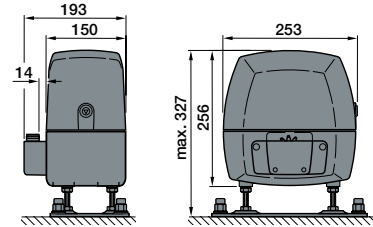
²⁾ In conjunction with receiver HET-BLE

● = Standard
○ = Optional

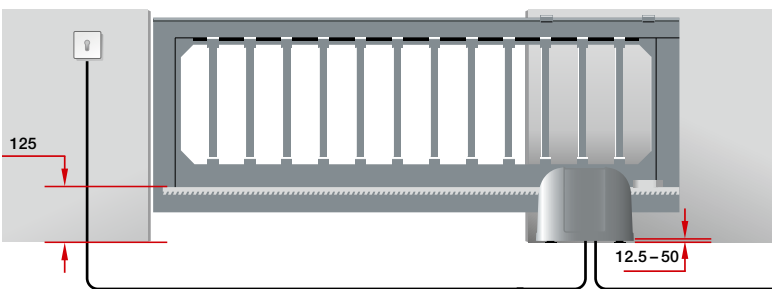
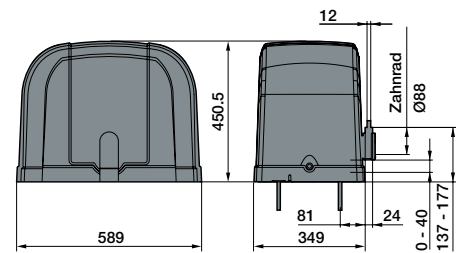
Dimensions in mm



LineaMatic



STA 400



Dimensions in mm

Please note:

In order to comply with the requirements of DIN EN 13241, we recommend using a closing edge safety device.

Experience Hörmann quality in new construction and modernisation

Hörmann provides an excellent basis for comprehensive planning. Carefully matched solutions offer you the very best in perfectly designed products for every area.

GARAGE DOORS. GATE AND DOOR OPERATORS. ENTRANCE DOORS. RESIDENTIAL INTERNAL DOORS. STEEL DOORS. FRAMES.



Some of the doors shown are equipped with special equipment and do not always correspond to the standard versions. The surface finishes and colours shown are subject to the limitations of the printing process and cannot be regarded as binding. All rights reserved. No part may be reproduced without our prior permission. Subject to changes.